

*Add Modification Code 131 for dry lubricant on inside surfaces of coupling nut.

SHELL SIZE	A MAX	B	
		+0	-.005
08	.536 (13.6)	.776	(19.7)
10	.659 (16.7)	.906	(23.0)
12	.829 (21.1)	1.078	(27.4)
14	.898 (22.8)	1.141	(29.0)
16	1.025 (26.0)	1.268	(32.2)
18	1.131 (28.7)	1.375	(34.9)
20	1.256 (31.9)	1.510	(38.4)
22	1.381 (35.1)	1.625	(41.3)
24	1.506 (38.3)	1.760	(44.7)

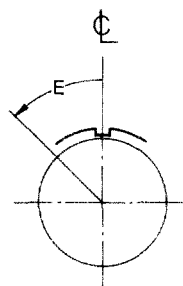
Metric dimensions (mm) are indicated in parentheses

MIL-C-83723 Series III

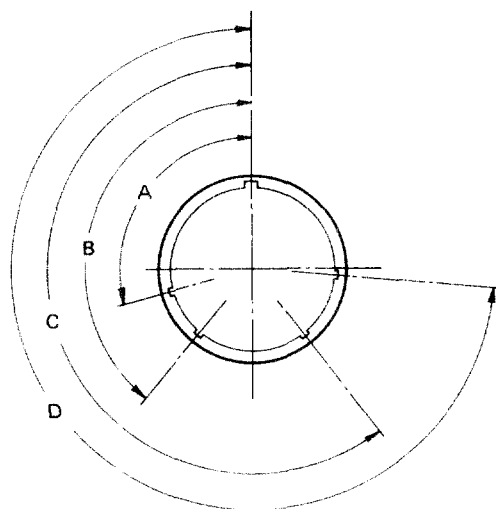


INSERT ARRANGEMENTS

SHELL SIZE DESIG	INSERT ARRANGEMENT DASH NO.	CONTACT SIZE QUANTITY		
		20	16	12
08	08-02	2		
	08-03	3		
	08-98	3		
10	10-05	5		
	10-02	2		
	10-06	6		
	10-20	2		
12	12-03		3	
	12-12	12		
14	14-04			4
	14-07		7	
	14-12	9	3	
	14-15	15		
16	16-10		10	
	16-24	24		
18	18-08			8
	18-14		14	
	18-31	31		
20	20-16		16	
	20-25	19		6
	20-28	24		4
	20-39	37	2	
	20-41	41		
22	22-12			12
	22-19		19	
	22-32	26		6
	22-39	27	12	
	22-55	55		
24	24-19			19
	24-43	23	20	
	24-57	55		2
	24-61	61		



ROTATED PIN INSERT
POSITION 1 THRU 5



FACE VIEW RECEPTACLE
POSITION N, 6 THRU 10

ALTERNATE KEYWAY POSITIONS

	SIZE 8				SIZE 10				SIZES 12 THRU 24				INSERT POSITION E°
	A°	B°	C°	D°	A°	B°	C°	D°	A°	B°	C°	D°	
N-NORMAL	105	140	210	265	105	140	215	265	105	140	215	265	0
1	-	-	-	-	105	140	215	265	105	140	215	265	10
2	-	-	-	-	105	140	215	265	105	140	215	265	20
3	-	-	-	-	105	140	215	265	105	140	215	265	30
4	-	-	-	-	105	140	215	265	105	140	215	265	40
5	-	-	-	-	105	140	215	265	105	140	215	265	50
6	102	132	248	320	102	132	248	320	18	149	192	259	0
7	80	118	230	312	80	118	230	312	92	152	222	342	0
8	35	140	205	275	35	140	205	275	84	152	204	334	0
9	64	155	234	304	64	155	234	304	24	135	199	240	0
10	-	-	-	-	25	115	220	270	98	152	268	336	0